



 SHUTTLEWORTH®

ARCO WEIGHMASTER

CHECKWEIGHING & CORRECTING STATIONS

H&S

HANDLING &
STERILIZING

ARCO Weighmaster

Checkweighing and Correction Station

The ARCO Weighmaster: Elevating Checkweighing & Correcting Solutions

Shuttleworth and ARCO Solutions are proud to introduce the ARCO Weighmaster checkweighing and correcting solutions to accurately weigh and correct tills and punnets for the soft fruit and mushroom industries with more throughput and less loss due to products being overweight.

Developed with Shuttleworth's gentle low line pressure Slip-Torque® roller surface and ARCO checkweighers and software, the ARCO Weighmaster will elevate your produce checkweighing and correction process to ensure maximum efficiency and precision with a single operator.



With medium and high-capacity options available, Shuttleworth provides solutions for a single operator to process up to 60-100 punnets per minute.

The ARCO Weighmaster Takes Checkweighing to New Levels with Increased Throughput and Less Loss Due to Overweight.

PROVEN

Over 100 weighing lines are installed worldwide.

EFFICIENT

Less loss due to overweight products provides a faster ROI

GENTLE

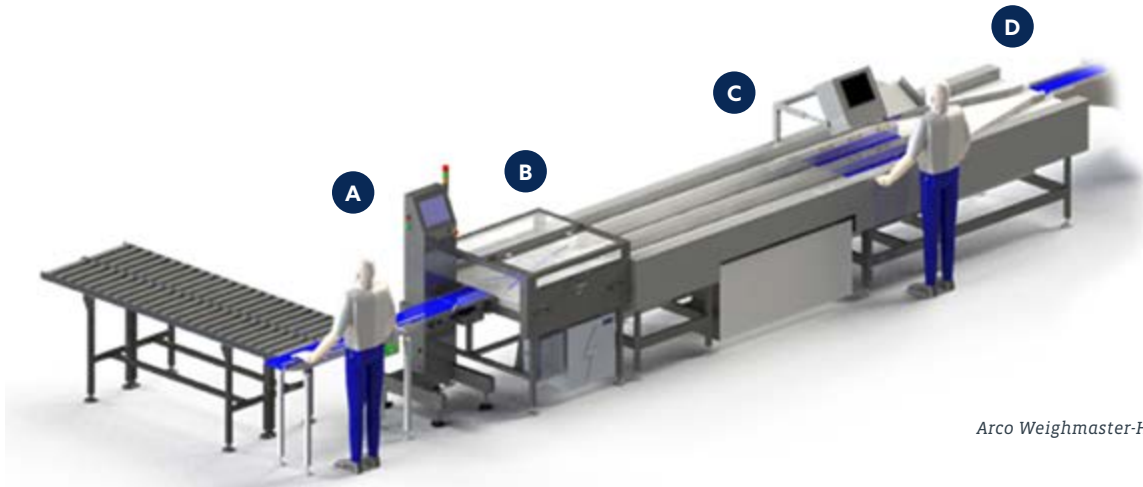
Slip-Torque® surface allows for more accumulation and product staging without crushing containers or damaging products.

SIMPLE

LED indicators inform operators the exact amount to add or remove to reach target weight.

ARCO Weighmaster Total Line

Checkweighing and Correction System



Arco Weighmaster-HC pictured

TOTAL LINE FEATURES



A. INITIAL CHECKWEIGHING

Punnets and tills are immediately weighed to determine the optimal lane for correction.



B. PRODUCT LANING

Product is directed to a corresponding lane depending if that product is overweight, underweight, or at target weight.



C. ARCO WEIGHMASTER CORRECTING

A single operator corrects each container to ideal weight with easy to use LED indicators.



D. PRODUCT MERGING & FINAL WEIGHING

Corrected containers automatically proceed to a single lane for the final checkweigher and next phase of the packaging process..

ARCO Weighmaster-MC

Medium-Capacity Weigh Correcting

Efficient & Accurate Weighing

Suitable for processing up to 60 punnets per minute with a single operator, the Weighmaster-MC is divided into two lanes, each with three independent weighing belts. Punnets underweight, target weight, and overweight are placed on the weighing belts at random. As soon as a punnet is corrected to the correct weight, the punnet is automatically transported towards the next station in the packaging line. Punnets with underweight and overweight product are manually corrected by the operator.

On each weighing belt, an easy-to-read LED light bar indicates how much a punnet is under or overweight. The operator sees immediately whether a large or small product needs to be removed or added to reach the desired weight. By weighing products this way, the weight per punnet is more stable and the loss due to overweight is lower while reducing human error.

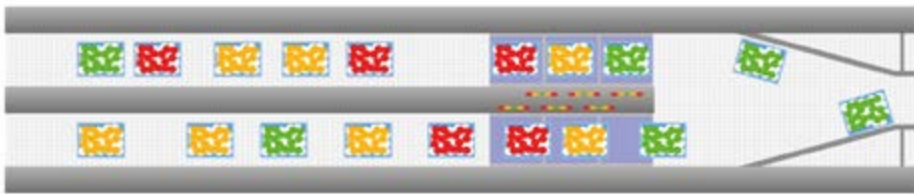
ARCO Weighmaster-MC allows you to experience less loss to overweight while staying ahead of the competition.



APPLICATION

- Medium-speed product weighing
- User-friendly operations
- Capacity up to 60 punnets per minute
- Multiple recipe structure
- Thrustless drive
- Custom recipe range between 1.75 and 35 ounces (50-1000g)
- Ideal for mushrooms and soft fruits
- 24/7 remote service access

Features & Specifications



WEIGHMASTER-MC PROCESS FLOW

Products overweight, underweight, and at target weight are randomly directed to lanes. Target weight products are indicated on the LED panel and immediately proceed to the next stage. Overweight and underweight products are indicated on the LED panel. Each belted scale continuously monitors punnit weight until target weight is met and is immediately advanced.

ARCO WEIGHMASTER-MC FEATURES



2-LANE SLIP-TORQUE SURFACE

Products accumulate and travel on FDA Grade rollers to reduce line pressure and maximize throughput



CUSTOM HMI RECIPES

Tailor your Weighmaster system with desired recipes ranging between 1.75 to 35 ounces (50g - 1000g)



LED INDICATOR

Easy to see lights informs operators know how much product to add or remove based on product HMI recipe



SLICK COMPOSITE GUIDES

Gently guides your products to a single lane for your next packaging process without abrasion.

BENEFITS

- Operated by only 1 operator
- Less human errors
- Less loss due to overweight
- Less floor space required
- Low investment
- Proven weighing technology
- Gentle low line pressure handling
- Faster throughput for fresher package
- Integrates with existing lines

WEIGHMASTER-MC SPECIFICATIONS

Footprint	134.4" x 28.6"
Speed	Up to 60 punnits/min.
Lanes	2
Recipe	1.76 - 35 ounces (50-1000 grams) (Multiple Recipe Capable)
Display	12" HMI
Power	208V, 3PH, 15 A
Air	80-90 psi, 5 CFM

ARCO Weighmaster-HC

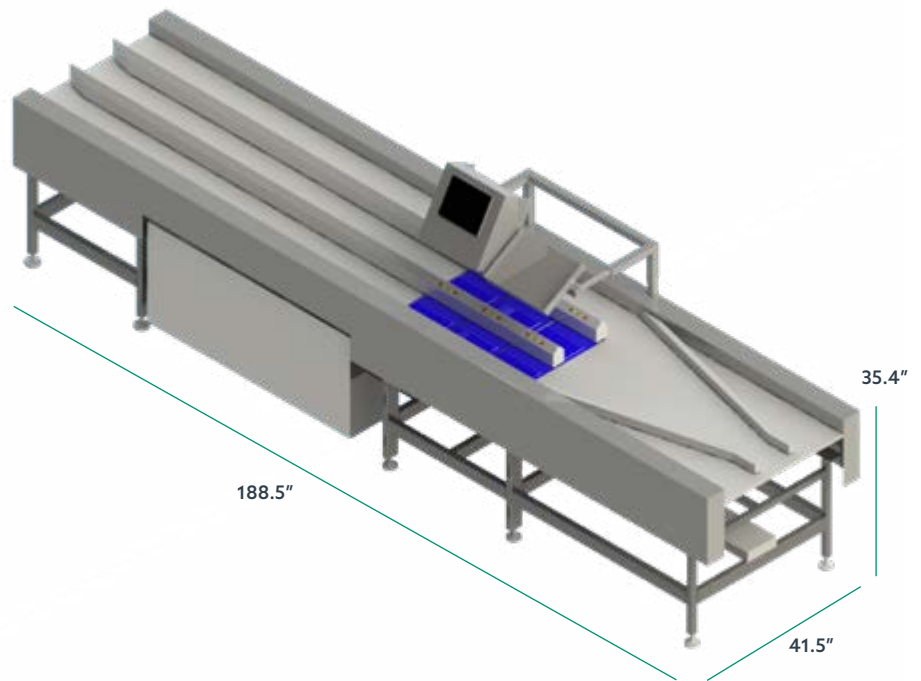
High-Capacity Weigh Correcting

High-Speed Accurate Weighing

Suitable for processing up to 100 punnets per minute with a single operator, the Weighmaster-HC is divided into three lanes, two correction lanes and a single bypass lane. Each correction lane is equipped with three independent weighing belts. Punnets underweight and overweight are directed to their own lane for correction. As soon as a punnet contains the correct weight, the punnet is automatically transported towards the next station in the packaging line. Punnets with target weight are directed to a bypass lane for immediate advancement to the next packaging process.

Same as the Weighmaster-MC, each weighing belt has an LED indicator light and weight is corrected manually by an operator. Higher throughput is achieved by allowing the operator to focus on only punnets needing correcting while accurate product bypasses the correction phase.

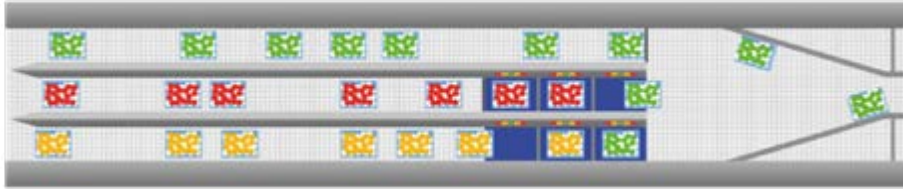
Supercharge your throughput while achieving accurate weight and fresher packages with the ARCO Weighmaster-HC & integrated AGR Software.



APPLICATION

- High-speed product weighing
- User-friendly operations
- Capacity up to 100 punnets per minute
- Multiple recipe structure
- Custom recipe range between 1.75 and 35 ounces (50-1000g)
- Ideal for mushrooms and soft fruits
- 24/7 remote service access
- OEE - Date per recipe

Features & Specifications



WEIGHMASTER-HC PROCESS FLOW

Products underweight are directed to the lowest lane for the correction while overweight products are directed to the middle lane. The amount of correction for each product is indicated on the LED panel. Each belted scale continuously monitors punnit weight until target weight is met and is immediately advanced. Target weight products are immediately directed to the top lane to bypass correction zones and proceed to the next packaging process.

ARCO WEIGHMASTER-HC FEATURES



3-LANE SLIP-TORQUE SURFACE

Products accumulate and travel on FDA Grade rollers to reduce line pressure and increase throughput



LED INDICATOR

Easy to see lights informs operators know how much product to add or remove based on product HMI recipe



ROLLER GUIDES

Efficiently guides your products to a single lane in a compact footprint to your next packaging process.



OPTIONAL AGR SOFTWARE

Automatically reduce giveaway to a minimum without sacrificing throughput

BENEFITS

- Operated by only 1 operator
- Less human errors
- Less loss due to overweight
- Low investment
- Proven weighing technology
- Gentle low line pressure handling
- Faster throughput for fresher package
- Integrates with existing lines

WEIGHMASTER-HC SPECIFICATIONS

Footprint	188.5" x 41.5"
Speed	Up to 100 punnits/min.
Lanes	3
Recipe	1.76 - 35 ounces (50-1000 grams) (Multiple Recipe Capable)
Display	12" HMI
Power	208V, 3PH, 15 A
Air	80-90 psi, 5 CFM



From automotive and electronics, to paper conversion and pharmaceuticals, to food and consumer good markets and beyond, manufacturers across the globe rely on Shuttleworth's proven product handling solutions to increase line efficiency, maximize profitability, and minimize risk. As part of the ProMach Product Handling business line, Shuttleworth helps our packaging customers protect and grow the reputation and trust of their consumers.

ProMach is performance, and the proof is in every package.

WORLD HEADQUARTERS - USA

10 Commercial Rd.,
Huntington, IN 46750
P: 800-444-7412 / 260-356-8500
F: 260-359-7810
E: Shuttleworth@ProMachBuilt.com
Shuttleworth.com

SHUTTLEWORTH SOUTHEAST ASIA

PO Box 36, Jinjang,
52000 Kuala Lumpur
Malaysia
T: 603-62767393
E: Shuttleworth.Asia@ProMachBuilt.com

SHUTTLEWORTH EUROPE

Grote Steenweg 42-44
9870 Zulte
Belgium
T: +32-9-221-13 14
E: Shuttleworth.Europe@ProMachBuilt.com